



Scaring devices for seed -  
and crop protection

**TRIPLE – JOHN  
CAROUSEL  
INSTRUCTION  
MANUAL**



MECAL PTY. LTD.  
A.C.N. 004. 322. 650.

9 Paramount Road (P.O. Box 140 ), West Footscary Vic 3012, Australia

Phone: 03-9314-0144  
Fax: 03-9314-2576

# PURIVOX TRIPLE-JOHN ELECTRON INSTRUCTION MANUAL

When unpacking the PURIVOX TRIPLE-JOHN ELECTRON bird scaring cannon , you will find the following components:

Main Power Controller ( Black plastic electrical case with attached cables and hoses See Figure 1 )

- One megaphone with fastening screw
- One cross-bar ( rotating beam )
- One bag containing the chain
- One bag containing the tripod centre piece
- Propane pressure reducer with hose ( to be screwed into the propane tank )
- Three tripod legs ( each leg consisting of two tubes which slide together )

It is advisable to identify all parts before proceeding with assembly of the cannon.

## The POWER CONTROL BOX

The main power controller is housed inside a black weather-resistant plastics case. To access the control circuitry remove the protecting lid by lifting the front of the lid as shown in Figure 1 .

Inside you will find the:

- Battery plate & compartment
- Electronic ( on / off ) timer
- Shot frequency switch
- Shot sequence switch ( 1-4 shot's )
- Sound level switch

On the outside of the control box you will see the ON/OFF switch, spark plug & ground wires, as well as the propane gas valve with attached hoses.

All items are shown on Figure 2.

## INSTALLING BATTERIES

Before installing the batteries, ensure that the On/Off switch located on the outside of the POWER CONTROLLER case is in the "O" ( Off ) position.

To install the batteries, gently pull-up on the " battery plate lock " while lightly pressing the battery plate lock towards the timer. ( See Figure 3.1 ) Insert two 6-volt lantern style batteries into the battery compartment. The orientation of the batteries is not important, just ensure that the spring terminals of each battery are facing up ( Figure 3.2 ) Now insert the battery plate into the slot located on the back wall of the battery compartment ( Figure 3.3 ) and press the opposite side of the battery plate down until into position ( Figure 3.4 )

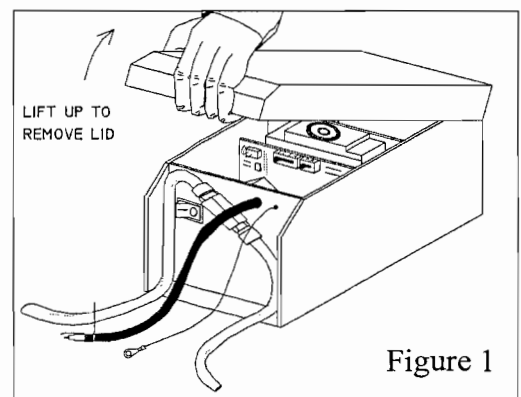


Figure 1

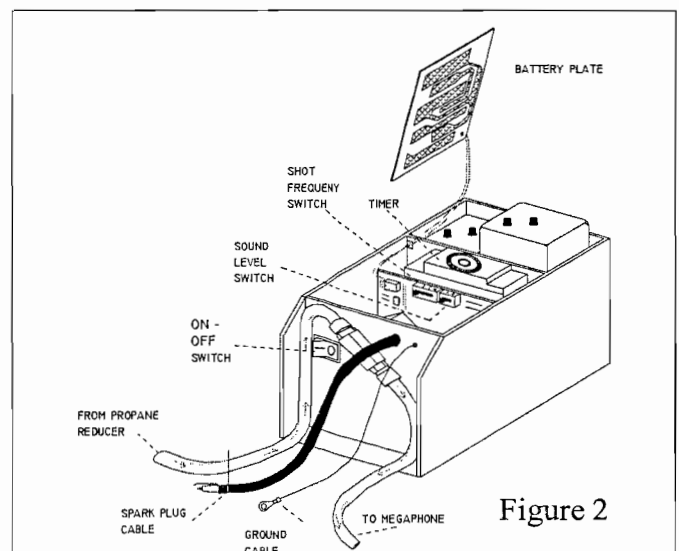


Figure 2

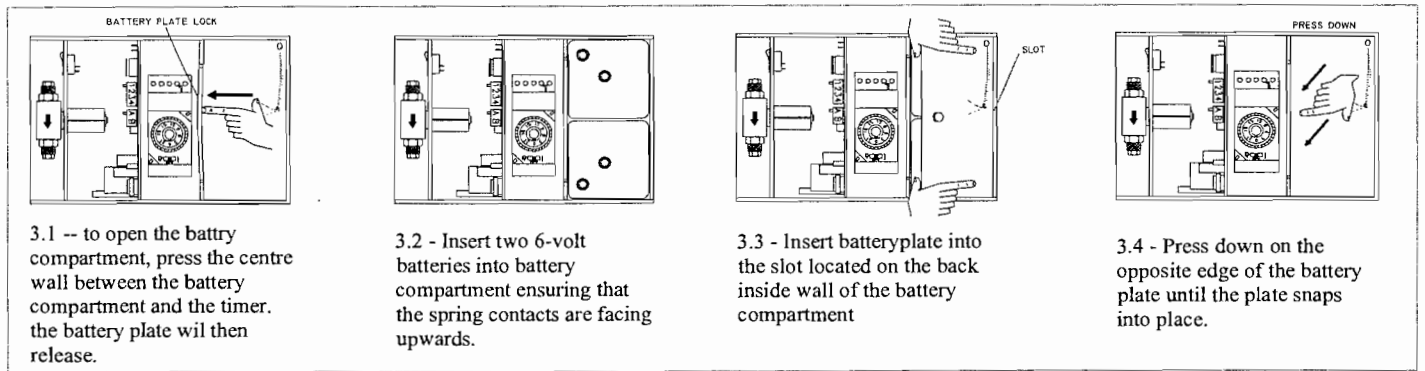


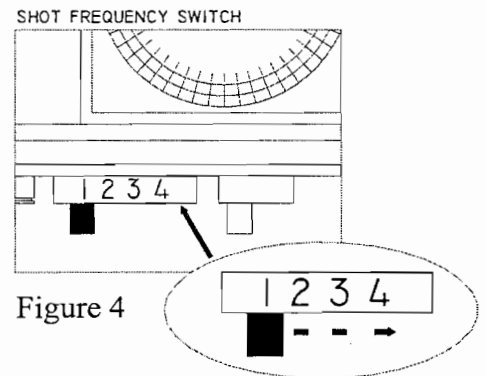
Figure 3

**IMPORTANT:** The batteries MUST be removed when the cannon is stored for the winter. One set of batteries should last for the entire "bird season."

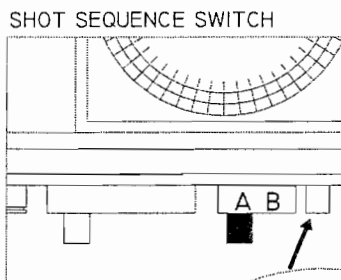
## SETTING THE SHOT FREQUENCY

The SHOT FREQUENCY slide switch located on the circuit board INSIDE the POWER CONTROLLER CASE sets the time interval between each shot sequence. In order to make the TRIPLE-JOHN Carousel's firing sequences as unpredictable as possible, the timing intervals are randomized by the computer circuitry. The user, however, can select maximum and minimum time values between which the computer chooses random firing intervals. These settings are as follows:

Switch Position	Timing Cycles
1	shots occur between 2 - 4 minutes
2	shots occur between 4 - 8 minutes
3	shots occur between 8 - 16 minutes
4	shots occur between 16 - 32 minutes



## SETTING THE SHOT SEQUENCE



Example: 3 Shot's  
left down / right up

frontview

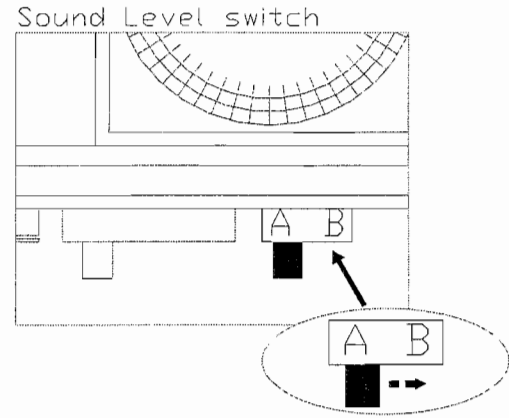
Changes only during DEVICE is Switched OFF !  
Wait minimum 15 seconds before Switch on.

- 1 Shot = both Switches up
- 2 Shot's = left up, right down
- 3 Shot's = left down, right up
- 4 Shot's = both Switches down

# SETTING THE SOUND LEVEL

The PURIVOX TRIPLE JOHN ELECTRON can be operated at two sound-intensity levels. In order to operate LEVEL SWITCH ( located on the circuit board inside the operate the cannon at a reduced sound level, the SOUND : position.

- “ A “ = REDUCED sound output
- “ B “ = FULL sound output



# SETTING THE TIMER

The programmable ON/OFF timer is located inside the POWER CONTROLLER CASE.( See Figure 6 ). Once the batteries have been installed, the quartz timer will start to “tick“. To set the timer, lift the clear plastic cover which protects the time scale.

The timer is calibrated based on the 24-hour clock - i.e.:

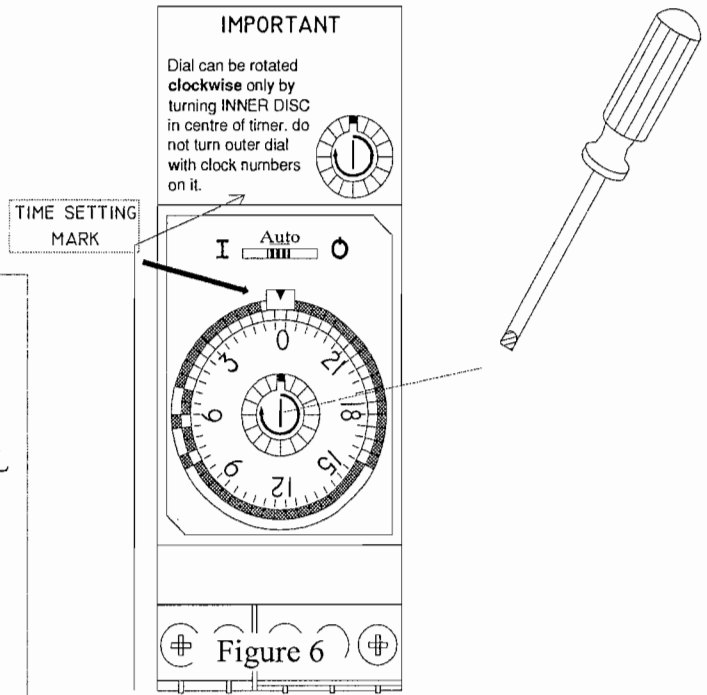
- 6:00 a.m. = 6
- 9:00 a.m. = 9
- 12:00 noon = 12
- 3:00 p.m. = 15
- 6:00 p.m. = 18
- 9:00 p.m. = 21
- 12 midnight = 0

**IMPORTANT**

Only use the small screwdriver ( enclosed in the power controller ) to rotate the time dial. The DIAL can only be rotated by turning the WHITE DISC located in the centre of the time dial. See Figure 6. Do not attempt to turn the outer dial itself.

**ONLY TURN DIAL IN THE DIRECTION OF ARROW**

Turning the time dial backwards will void the warranty.



Ensure that the MODE SWITCH is in the AUTO position.

The time-setting keys are positioned around the entire dial. Each key represents a 30-minute time interval. These keys are used to set the daily START-UP and SHUT-DOWN times of the cannon. During the period when the time-setting keys are pushed outward ( away from the centre of the dial ), the cannons is ON. When the time-setting keys are pushed inward ( towards the centre of the dial ), the cannons is OFF.

Time-setting keys OUTWARD	= Cannon ON
Time-setting keys INWARD	= Cannon OFF

Once the desired timing program has been set, the timer must be set to the present time of day. Using the screwdriver, turn the dial ( using the white disc located in the centre of the time dial ) in a clockwise direction until the present time of day lines up with the TIME-.SETTING MARK ( See Fig. 6 ).

## TIMER Set - up EXAMPLE

YOU want the cannon to:

- Come on at 6:00 a.m.
- Run all day
- Shut off at 9:00 p.m.
- The "Present time of day " is 3:00 p.m.

- Steps:
1. Lift the timer cover cap
  2. Slide the time-setting key next to the "6" outward ( away from centre of dial ).
  3. Carefully slide the time-setting keys between 6 and 20 outward. Stop when you have reached the number "21" ( Remember that "21" means 9:00 p.m.).
  4. Slide the time-setting key next to the number 21 inward ( towards the centre of the dial )
  5. Now continue sliding the time-setting keys inward until you reach the number "6". ( All keys between the numbers "6" and "21" should be positioned OUTWARD ( CANNON IS ON ) while the keys between "21" and "6" should be positioned INWARD ( CANNON IS OFF ).
  6. Set the time by aligning the present time of day with the TIME-SETTING MARK.  
For our example, align the "15" ( 3:00 p.m. ) with the time-setting mark.
  7. Ensure that the time mode selector switch is in the AUTO position.
  8. Close the timer cover.

**Once the timer has been set and the shot timing cycles have been selected, and the sound power level has been set, replace the controller cover as shown in Figure 7.**

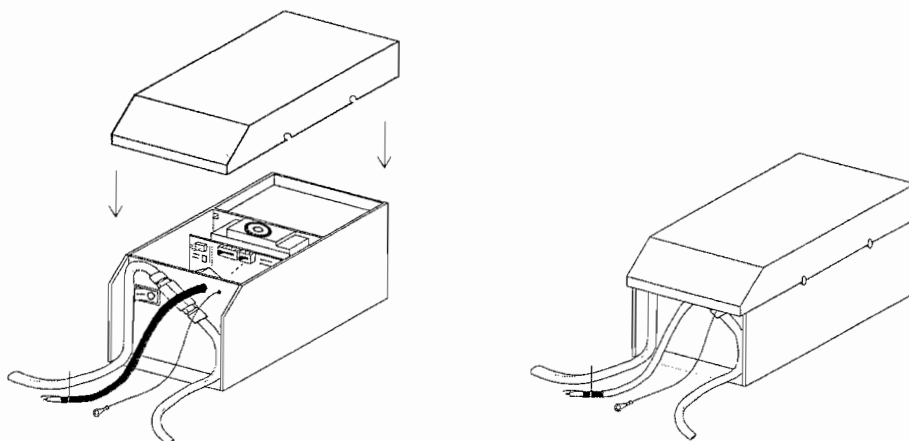
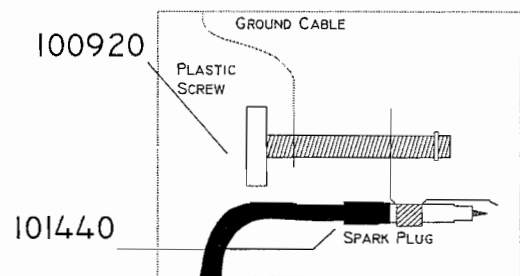


Figure 7

# ASSEMBLING THE CANNON

1. TURN THE ON/OFF SWITCH ON THE OUTSIDE OF THE MAIN POWER CONTROL UNIT TO THE “O” (OFF) POSITION.
2. Securley fasten the main power controller to the cross bar using the wingscrew, washer and lockwasher – use the outer-most hole on the crossbar such that the controller is positioned at the crossbar ( with the cables and hoses facing inward ).
- 3 Attach the megaphone to the crossbar Be sure that the hole for the spark plug faces inward ( towards the power controller )
4. Screw the spark plug ( # 101440 ) and the ground cable ( # 108208 ) into the megaphone in the following manner:
  - a) pick up plastic screw # 100920
  - b) slide ground cable lug over screw
  - c) slide spark plug lug over screw
  - d) screw into megaphone.



IMPORTANT: If the order of the components is not correct, the cannon will not operate properly.

5. Remove the propane jet ( # 100412 ) from the jet hose ( # 100381 ). Screw the propane jet into the megaphone ( back, underside ) and slide the jet hose over the installed propanejet.
6. Screw the tripod centre piece ( # 102072 ) into the centre of the crossbar ( # 102090 ).
7. Feed the other jet hose down through the tripod centre piece ( See Assembly Diagram ).
8. Assemle the tripod legs by inserting the upper sections ( straight tubes ) into the lower sections ( tubes with attached stabilizing plates ). Push the assembled tripod legs over the stubs on the tripod centre piece ( # 102072 ). The spring clips on the tripod centre piece will hold the legs in place. The cannon should be leveled using the adjustable leg and should spin freely.
9. Thoroughly clean the valve cup on the propane bottle. Seat the propane regulator by repatedly twisting the cone into the cup on the propane bottle. Then tighten the nut (left-hand thread ! ). If the regulator is not properly seated, or the cup is not clean, the connection may leak.
10. Using the attached hose splicer. Connect the jet hose from the regulator to the jet hose coming down through the tripod centre piece.
11. Connect one end of the chain ( # 102080 ) into the hole on the bearing tube ( # 106140 ). The other end should be fed throug the handle on the propane tank and linked back into bearing tube.

## STARTING THE CANNON

The cannon should always be started in a controlled manner so that the operator, is not subjected to the cannon shot at close range. Always start the cannon by following these steps:

1. Turn the ON/OFF switch ( located on the outside of the POWER CONTROLLER BOX ) to the "0" (OFF) position.
2. Open the valve on the propane gas tank.
3. Turn the ON/OFF switch to the "1" ( ON ) position.

The first series of shot will occur after approximately 10 seconds.  
Protect your ears and move away from the unit.

Warning: If these steps are not followed the cannon may fire IMMEDIATELY after the propane tank valve has been turned on or the power switch has been turned on

## STORING THE TRIPLE JOHN

1. Remove the main power control unit from the crossbar.
2. Remove the batteries from the battery case so as to avoid possible leakage.
3. STORE THE MAIN POWER CONTROL UNIT IN A DRY LOCATION ( Not on a Barn Floor).

## TROUBLESHOOTING

If the cannon fails to operate, please check the following:

1. Ensure that the cannon is turned on. The switch must be in the "1" ( ON ) position.
2. Ensure that there is propane in the tank and that the tank valve is open.
3. Ensure that the batteries are OK. Each battery must be providing at least 5.4 volts.
4. Ensure that the ON/OFF clock-timer is properly set and that the present time of day is correctly set.

If the unit still does not function properly, please contact your dealer.

PART #	DESCRIPTION	PART #	DESCRIPTION
108511	Main Power Controller	108332	Top Cover for 108511
108500	Printed Circuit Board	106040	Megaphone
108328	Batterieplate include connector	102080	Chain
105786	Timer ( Clock ) ON / OFF	102090	Crossbar
105900	Solenoid valve	102072	Tripot centre piece complete
108206	Spark plug incl. cable	101660	Propane regulator complete
101440	Spark plug	102023	Tripot leg short
108208	Ground cable	102025	Tripot leg long
105161	ON / OFF switch	102026	Tripot leg adjustable outer
105017	Connector incl. 6 wire	102028	Tripot leg adjustable inner
100381	Jet Hose	102273	Tripot leg groundplate small
100401	Hose Connector	102275	Tripot leg groundplate big
100412	Propane Jet	100910	Crommet DA 140/200/40
100920	Pastic Insulating Screw	101100	Blind Rivet Nut
100750	Injector	101131	Wing nut M6
101760	Propane Jet holder		

# PURIVOX KARUSSELL-TRIPLEX

construction manual

